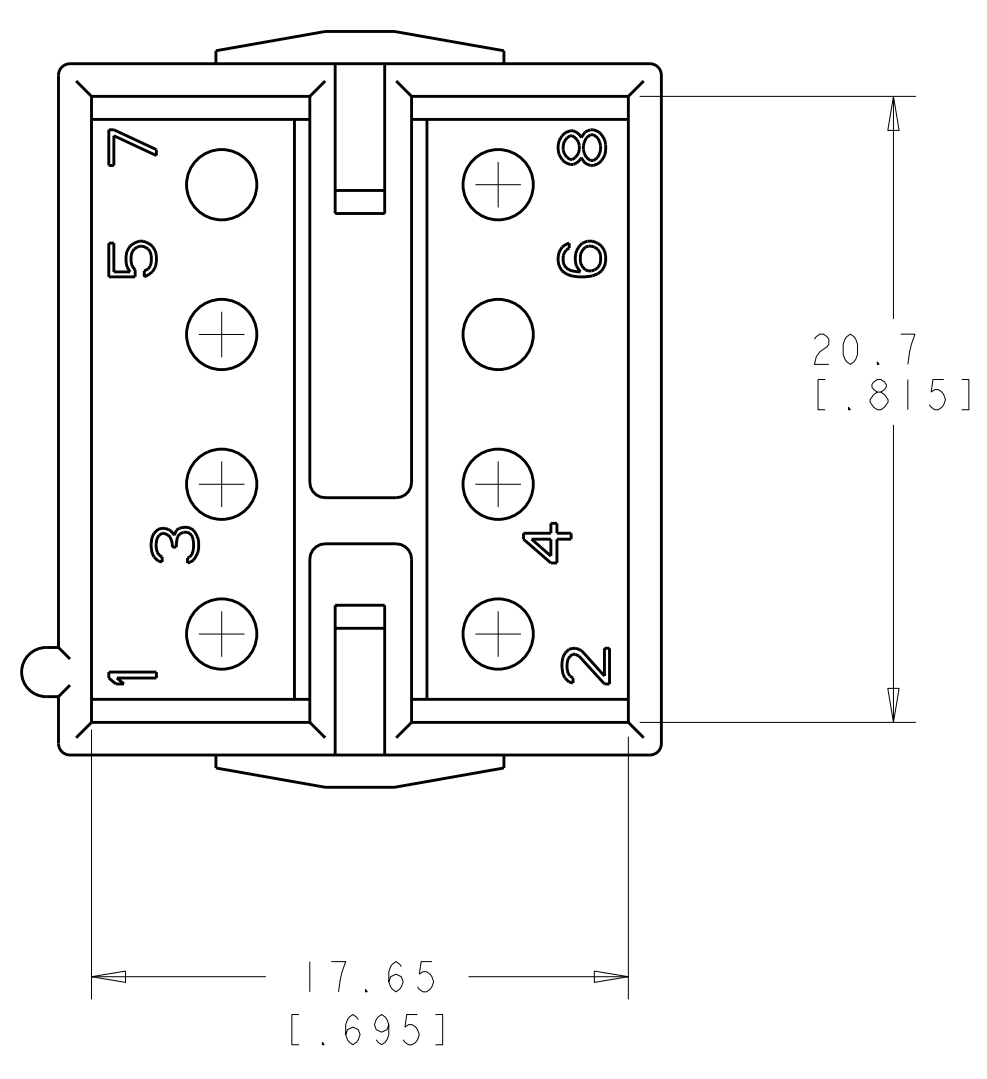
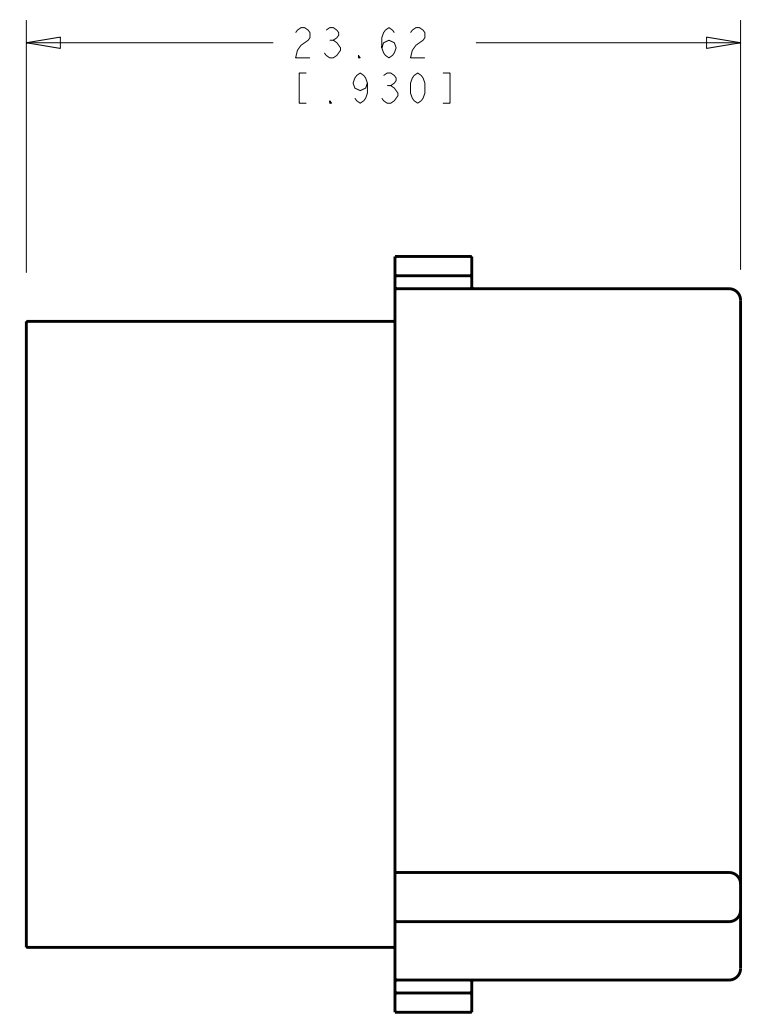
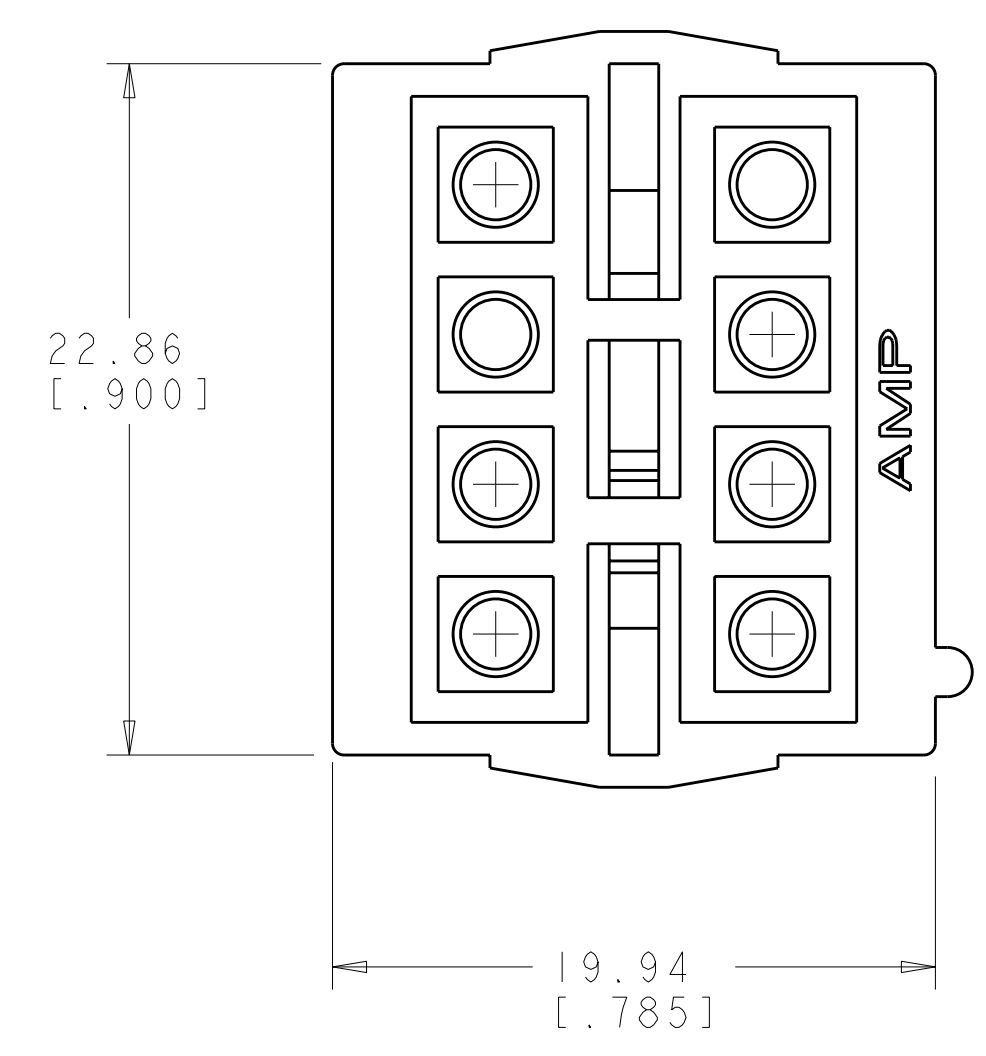
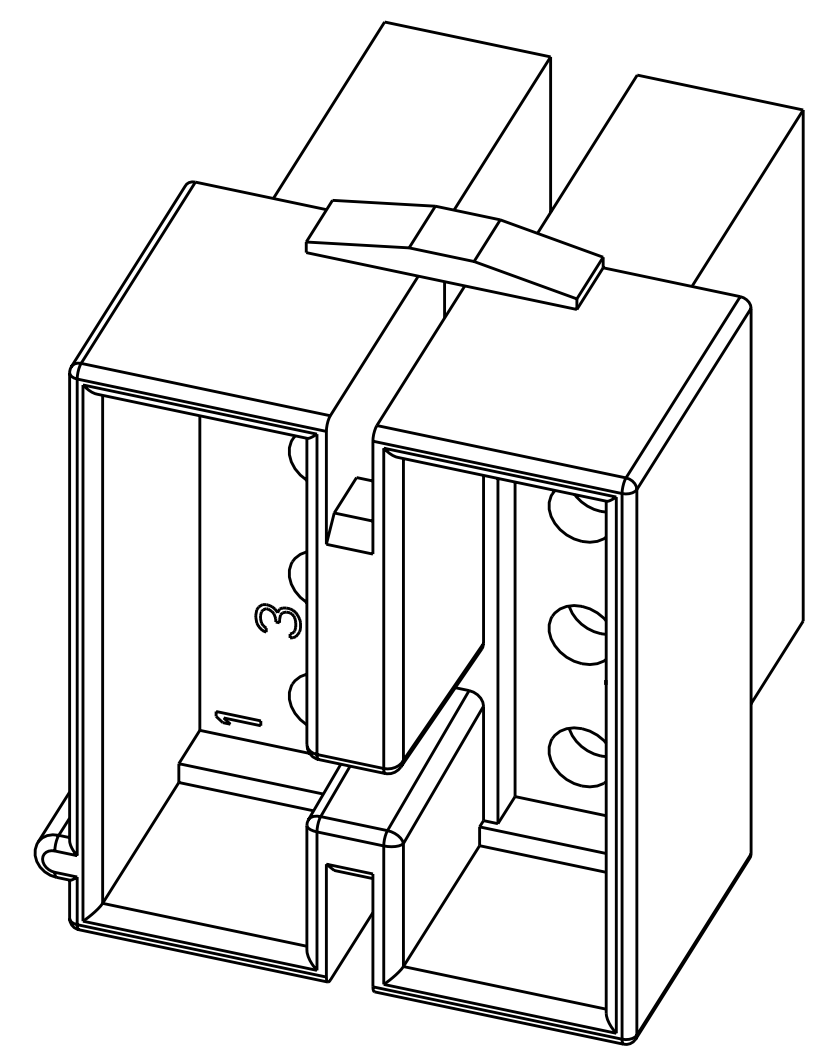
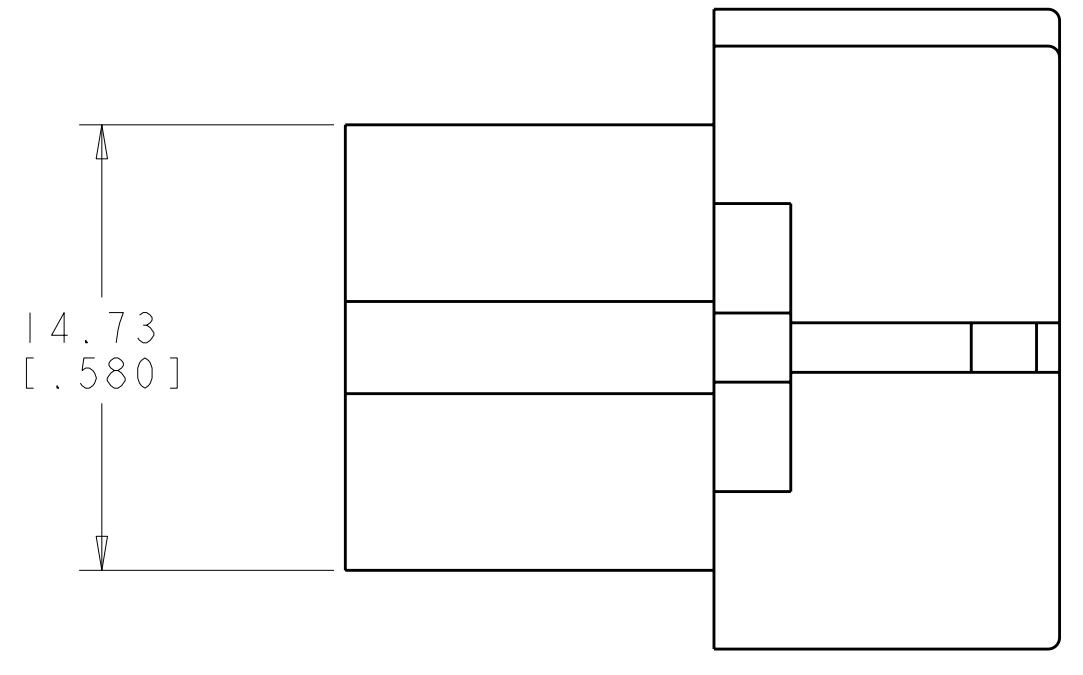


LOC		DIST		REVISIONS			
CM	00	P	LTR	DESCRIPTION	DATE	DWN	APVD
		H		ECO-07-030154	20DEC2007	KW	CC



1. PART MATES WITH PLUG 480283.
2. TO BE USED WITH COMMERCIAL MATE-N-LOK™ PINS.



0.24 IN ³	1-480345-0
VOLUME	PART NUMBER

METRIC

<small>THIS DRAWING IS UNPUBLISHED. RELEASED FOR PUBLICATION BY TYCO ELECTRONICS CORPORATION. ALL RIGHTS RESERVED.</small>		DWN: R. WHITAKER CHK: C. CASH APVD: C. CASH	Z0DEC2007 Z0DEC2007 Z0DEC2007	Tyco Electronics Harrisburg, PA 17105-3608
DIMENSIONS: mm [INCHES]	TOLERANCES UNLESS OTHERWISE SPECIFIED: 9 PLC ± 1 PLC ± 2 PLC ±0.13 (1.005) 3 PLC ± 4 PLC ± ANGLES ±40° 30'	PRODUCT SPEC APPLICATION SPEC WEIGHT	NAME: CAP. 6 CIRCUIT, COMMERCIAL MATE-N-LOK (TM) SIZE: A 00779 C=480345 CUSTOMER DRAWING	RESTRICTED TO: H
MATERIAL: NYLON, UL 94V-2 NATURAL	FINISH: -	SCALE: 4:1	SHEET: 1 OF 1	REV: H